

Reissued: 2-Jun-05

Model: PRIPORT PINKGOLD/PGB4/PGP		Date: 26-Nov-03	No: M-C238-025a
Modified Article: New Model PGA3P/PGB4P information (China only)		Prepared by:	
From: Priport Service Planning Section		M. Kanomata	
Classification: <input type="checkbox"/> Parts catalog correction <input type="checkbox"/> Vendor change <input type="checkbox"/> To meet standards <input type="checkbox"/> To facilitate assembly <input type="checkbox"/> To improve reliability () <input type="checkbox"/> Part standardization <input checked="" type="checkbox"/> Other (New model information)			
Model Name:			
PINKGOLD: Ricoh JP3000/JP3800, Gestetner 5430/5428C, RexRotary 1330, nashuatec CP430, Savin 3260DNP, Standard SD370, Lanier LDD030 PGB4 (China only): Ricoh JP2800, Gestetner 5425C PGA3P (China only): Ricoh JP3810P, Gestetner 5438P PGB4P (China only): Ricoh JP2810P, Gestetner 5435P			

MB Reissue

The areas in ***bold/italics*** were changed.

This bulletin lists the components unique to Model PGA3P (C246) / PGB4P (C254). Please add this list and accompanying illustrations to your PinkGold (C238) Parts Catalogs.

Note:

- Please also see RTB #R-C238-012 for revisions made to the Service Manual due to minor changes applied to Model PGA3P/PGB4P.
- ***The Paper Plate Thin Pad (C2382770) and Thin Pad (C2382772) are not used on the PGA3P/PGB4P.***

Reissued: 2-Jun-05

Model: PRIPORT PINKGOLD/PGB4/PGP

Date: 26-Nov-03

No: M-C238-025a

1. EXTERIOR

Sec	Index	Parts No.	Description	Q'ty	Page
1	1	C246 1223	Front Cover Ass'y – RIC JP3810P	1	7
1	1	C246 1224	Front Cover Ass'y – GES 5438P	1	7
1	1	C254 1223	Front Cover Ass'y – RIC JP2810P	1	7
1	1	C254 1224	Front Cover Ass'y – GES 5435P	1	7
1	6	C246 1340	Emblem Decal – RIC JP3810P	1	7
1	6	C246 1341	Emblem Decal – GES 5438P	1	7
1	6	C254 1340	Emblem Decal – RIC JP2810P	1	7
1	6	C254 1341	Emblem Decal – GES 5435P	1	7
1	21	C249 1358	Rear Cover Ass'y – Left	1	7

12. DRUM UNIT 1

Sec	Index	Parts No.	Description	Q'ty	Page
12	8	C246 2529	Ink Pump 600 Ass'y	1	29

14. DRUM UNIT 3

Sec	Index	Parts No.	Description	Q'ty	Page
14	8	C249 2360	Front Drum Flange – A3	1	33
14	10	C249 2362	Rear Drum Flange – A3	1	33

21 ELECTRICAL SECTION 1

Sec	Index	Parts No.	Description	Q'ty	Page
21	1	C246 5100	MPU Board – A3	1	47
21	1	C254 5100	MPU Board – B4	1	47
21	22	C246 5124	Program I/O – A3	1	47
21	24	C246 5114	Program MPU – A3	1	47
21	24	C254 5117	Program MPU – B4	1	47

25. DECALS AND DOCUMENTS

Sec	Index	Parts No.	Description	Q'ty	Page
25	16	C246 8606	Operating Instructions – RIC JP3810P	1	63
25	16	C246 8686	Operating Instructions – GES 5438P	1	63
25	16	C254 8606	Operating Instructions – RIC JP2810P	1	63
25	16	C254 8686	Operating Instructions – GES 5435P	1	63

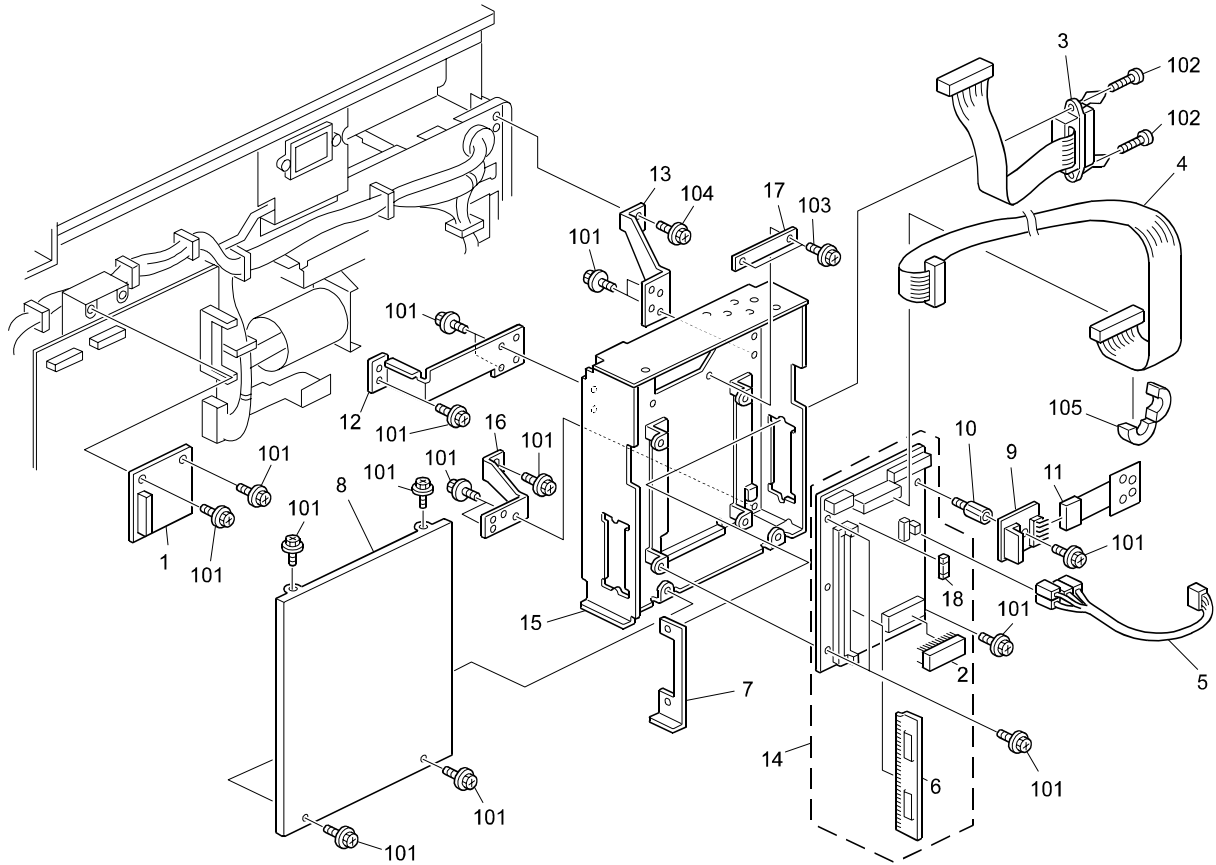
Reissued: 2-Jun-05

Model: PRIPORT PINKGOLD/PGB4/PGP

Date: 26-Nov-03

No: M-C238-025a

27. PRINTER CONTROLLER UNIT



Reissued: 2-Jun-05

Model: PRIPORT PINKGOLD/PGB4/PGP	Date: 26-Nov-03	No: M-C238-025a
---	------------------------	------------------------

Sec	Index	Parts No.	Description	Q'ty	Note
27	1	C580 1011	Video I/F Board	1	
27	2	C613 5012	Flash Memory	1	
27	3	C249 5415	Interface Harness	1	
27	4	C249 5399	Flat Cable	1	
27	5	C249 1002	Panel Harness	1	
27	6	C613 5005	SIMM 16MB	1	
27	7	C249 5646	Plate	1	
27	8	C613 5645	Shading Plate	1	
27	9	C613 1005	Keypad PCB	1	
27	10	C249 5659	Keypad PCB Stud	1	
27	11	C613 1011	Panel	1	
27	12	C249 5654	Stand – Left	1	
27	13	C249 5655	Stand – Right	1	
27	14	C613 5297	Controller Board	1	
27	15	C613 5631	Controller Box	1	
27	16	C249 5656	Stand – Lower Right	1	
27	17	C218 3039	Flat Cable Clamp	1	
27	18	11070914	Fuse 451001.MR	1	
27	101	04513006B	Tapping Screw – M3x6		
27	102	03530080Z	Philips Trass Head Screw – M3x8		
27	103	07120030B	Hexagon nut – M3		
27	104	04514006B	Tapping Screw - 4x6		
27	105	16070663	Ferrite Core		
27	-	C613 6036	CDROM – CHN		
27	-	C613 8626	Operating Instructions – CHN		